

# SOLAR C - Tiny



## Performance

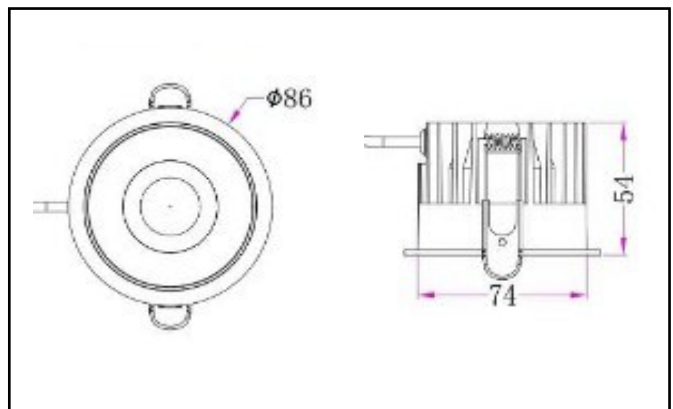
Lumen Output	Wattage	lm/cW
1470lm	14.9W	98.66

## Emergency (Optional)

BLF	Lumen Output
23%	338lm

Rated Supply Voltage	220—240 V
AC Voltage Range	198—264 V
Mains Frequency	50/60 Hz
Output LF Current Ripple @ 120Hz	<1%
Overvoltage Protection	320 V
In-rush Current	12 A
UGR	<13
Dimming Type (Optional)	DALI2
Operating Temperature	-25 + 60 °C
Longevity (L70/B10)	60,000 hours
Colour Rendering	Ra>90
Kelvin	3000K 4000K
IP Rating	IP65
Cutout	∅75mm
Dimensions	∅86 x 54mm
Weight	1.0 kg
Warranty	5 Years
Certification	CE, ROHS, UKCA

Emergency Duration	3 Hours - Dali2 Monitoring
Recharge Period	24 Hours
Battery Type	LiFePO4 (Lithium Iron Phosphate)
Battery Pack	3 x 3.2V 1.5Ah
Parasitic Load	1.2W
Operating Temperature	-25 + 60 °C
Power Efficiency	95%
Certification	CE, ROHS, UKCA



**54** lighting

Tel: 01883 339685 | Email: info@54lighting.co.uk | Web: www.54lighting.co.uk

Unit 1, Haysbridge Farm, Farm Approach, Brickhouse Lane, South Godstone, Surrey, RH9 8JW